

## Technical Specification



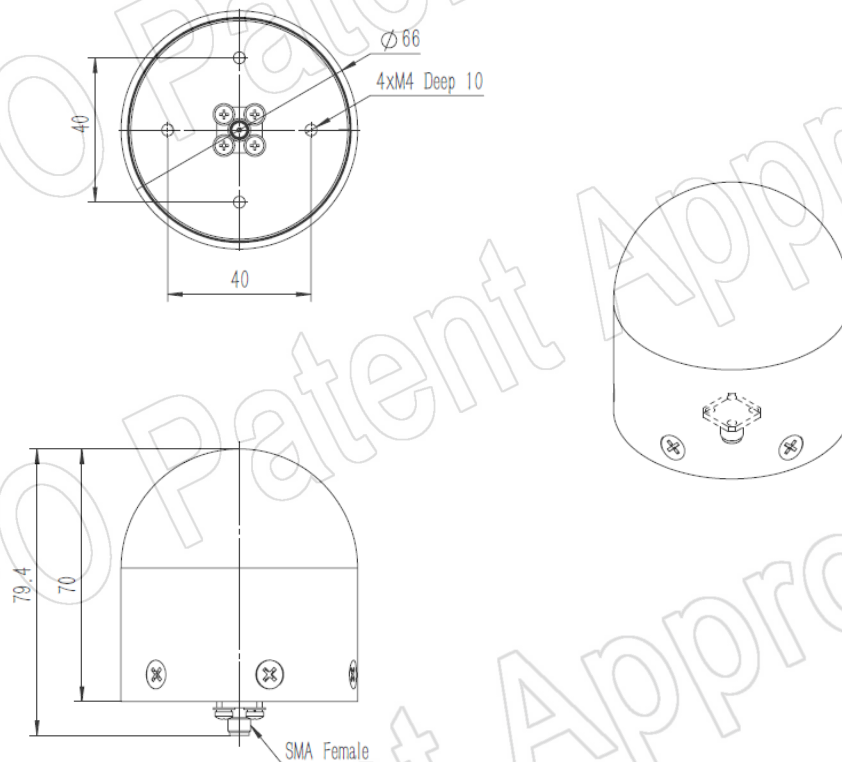
Frequency Range(GHz)	2.0 – 18.0
Gain(dBic)	-6.0 - 7.0
	2.0 Typ.
Polarization	RHCP or LHCP
Axial Ratio(dB)	2.0 Typ.
	3.0 Max.
3dB Beamwidth(deg)	E Plane: 100 - 55
	H Plane: 90 - 55
VSWR	2.0:1 Typ.
	3.0:1 Max.
Connector	SMA-Female
Antenna Radome	Fiberglass Antenna Radome
Material	Al
Size(mm)	66 x 66 x 79.4
Net Weight(Kg)	0.25 Around

PATENT ID (China)

ZL201630454630.6, ZL201630458503.3

## Outline Drawing (Size: mm)

SMA-Female Output with Fiberglass Antenna Radome (P/N: LX-20180-FR\_RHCP or LX-20180-FR\_LHCP)



AINFO Inc.

China(Beijing):  
China(Chengdu):  
USA :

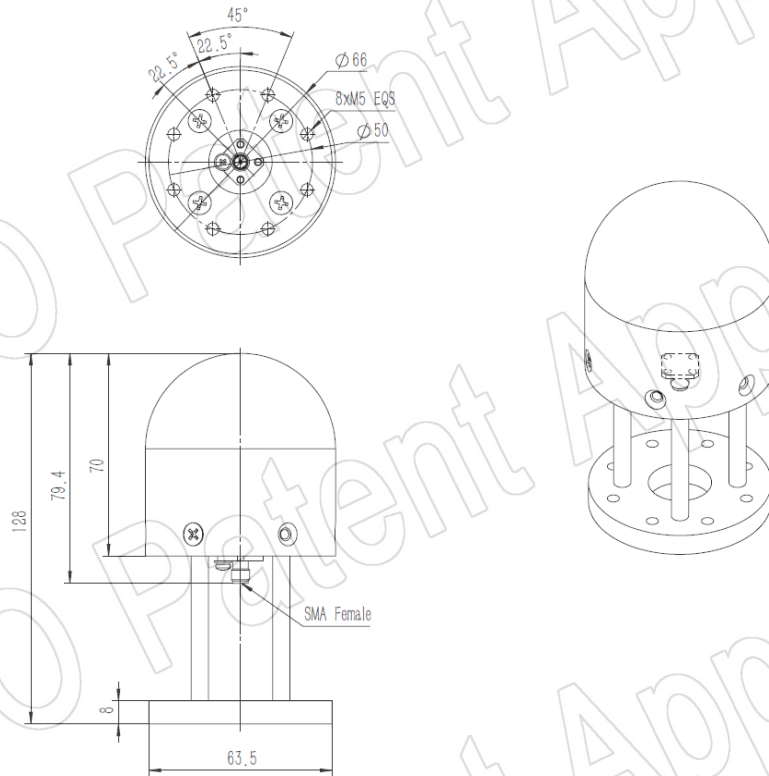
Tel: (+86) 10-6266-7326,  
Tel: (+86) 28-8519-2786,  
Tel: (+1) 949-639-9688,

(+86) 10-6266-7327  
(+86) 28-8519-3044  
(+1) 949-639-9608

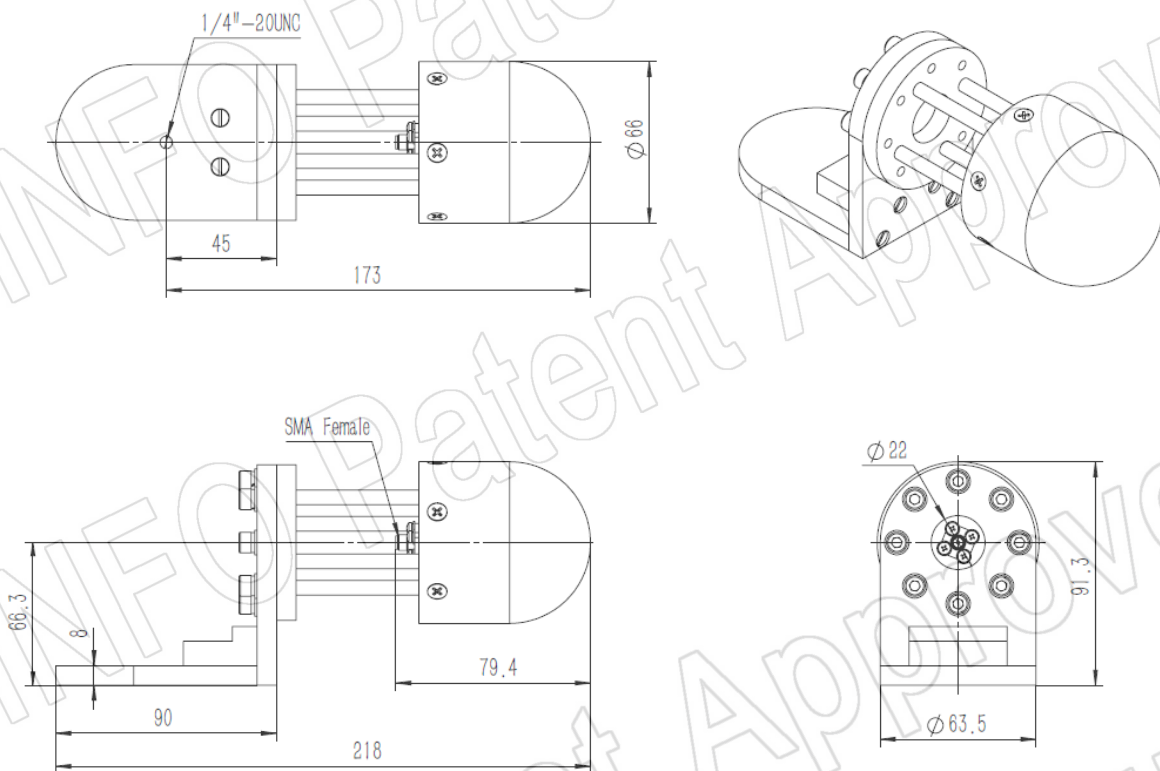
Fax: (+86) 10-6266-7379  
Fax: (+86) 28-8519-3068  
Fax: (+1) 949-639-9670

Website: www.ainfoinc.com  
Email: sales@ainfoinc.com

SMA-Female Output with Round Mounting Bracket & Fiberglass Antenna Radome (Option, P/N: LX-20180-MB)

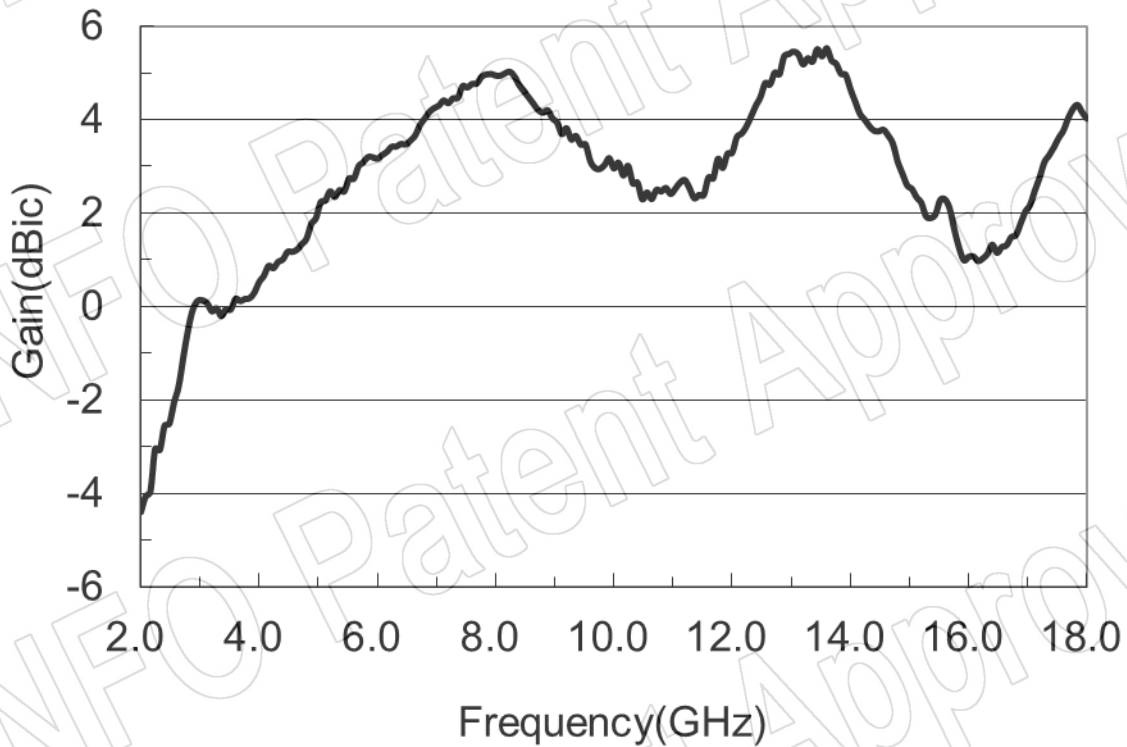


SMA-Female Output with L Type Mounting Bracket & Fiberglass Antenna Radome (Option, P/N: LX-20180-MBL)

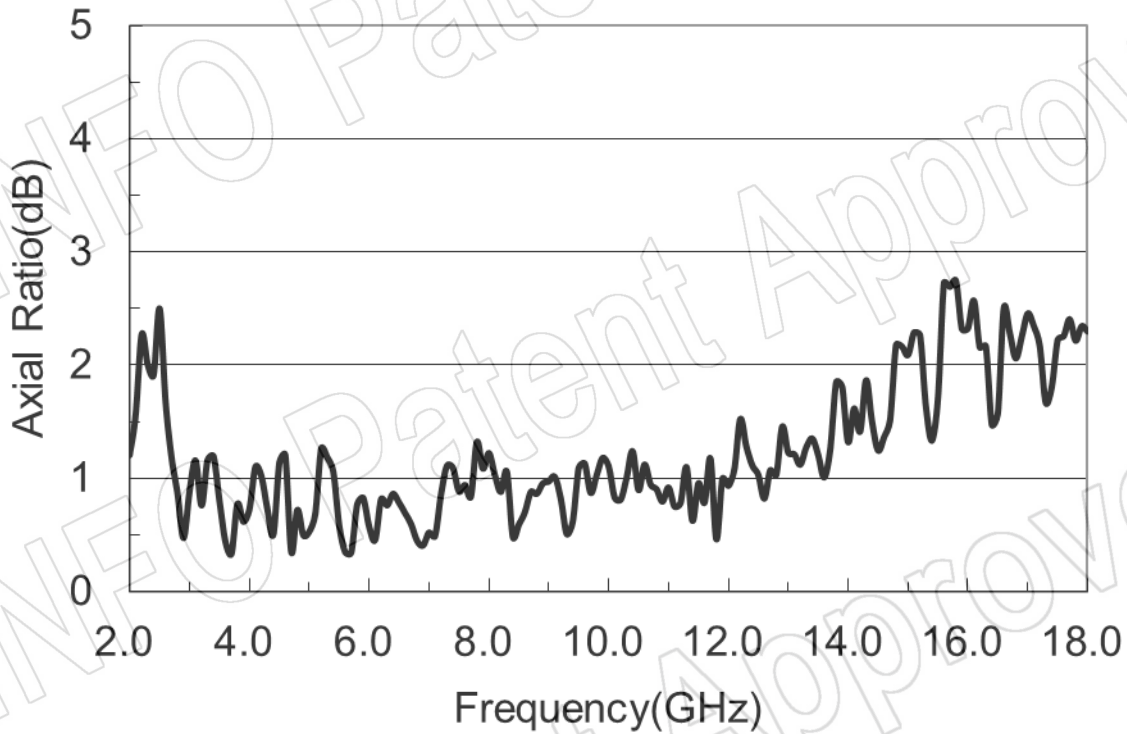


## Test Results

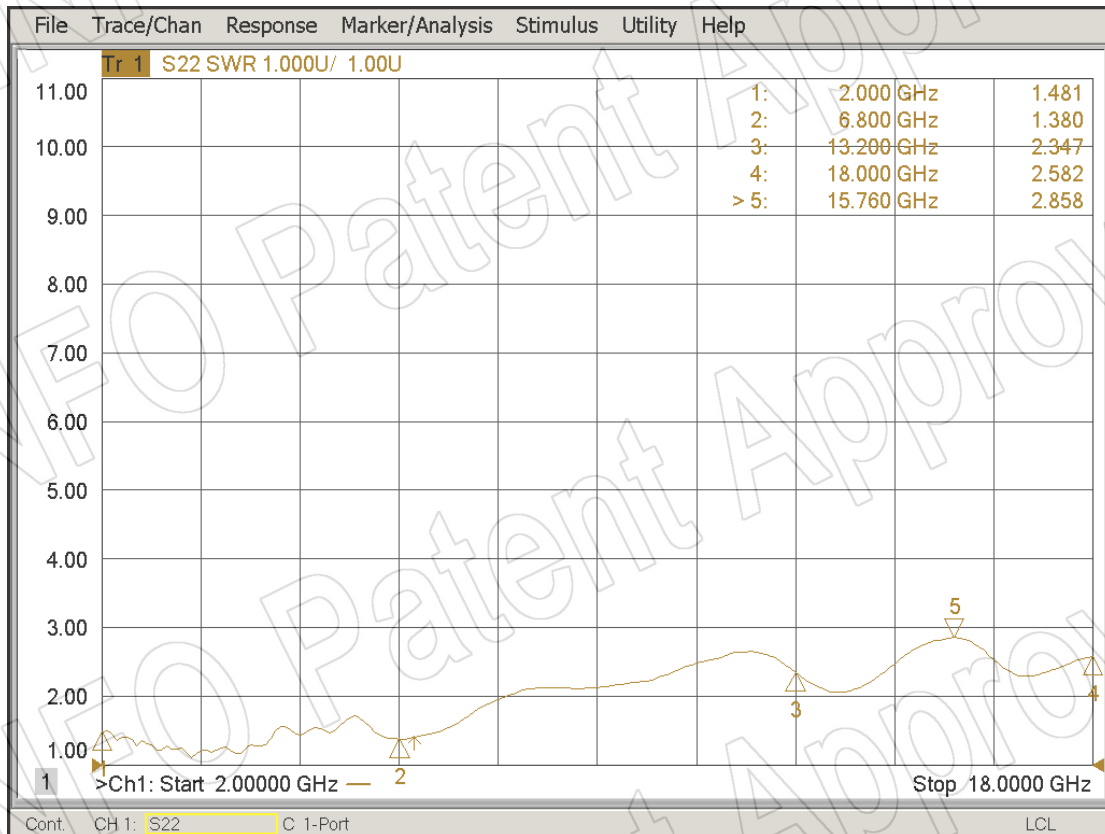
### 1. Gain



### 2. Axial Ratio



### 3. VSWR



### 4. Pattern

